

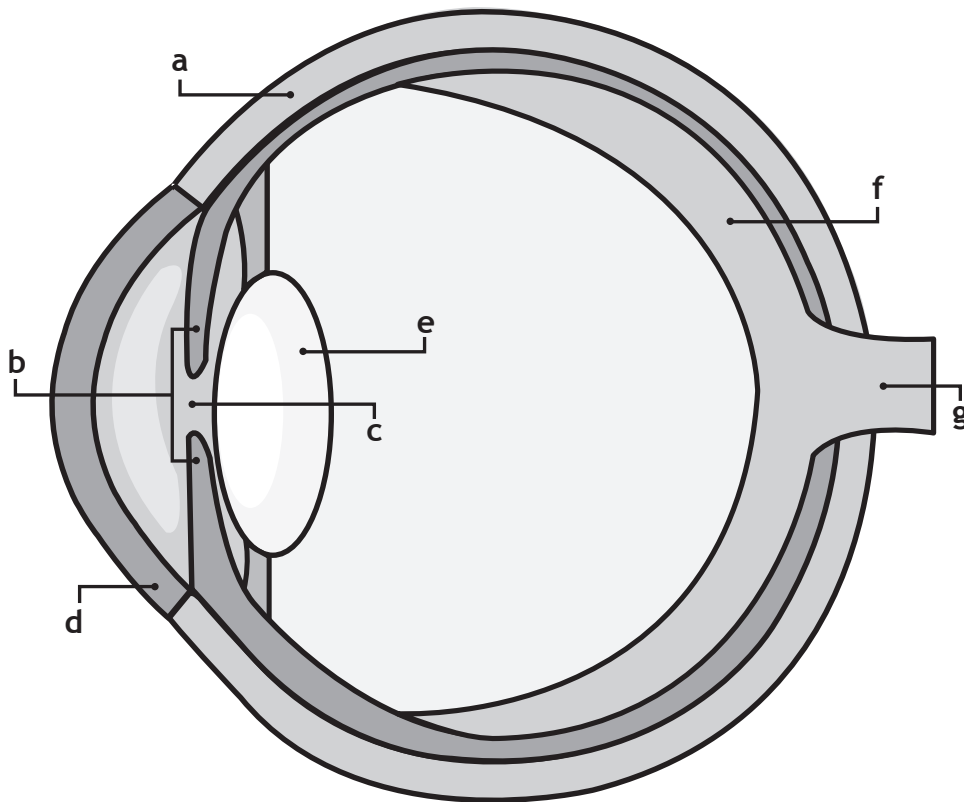


Name: _____

Date: _____

Parts of the Eye

Instructions: Using the diagram as a guide, fill in the blanks using the words from the word bank.



WORD BANK

cornea

lens

pupil

sclera

iris

optic nerve

retina

- a. The white part of the eye is the _____.
- b. The colored part of the eye is the _____.
- c. The black circle in the middle of the eye is the _____.
- d. The transparent bump in the front of the eye is the _____.
- e. The _____ focuses light on the back of the eyeball.
- f. The _____ changes light the eye receives into nerve signals.
- g. The _____ carries nerve signals from the eye to the brain.